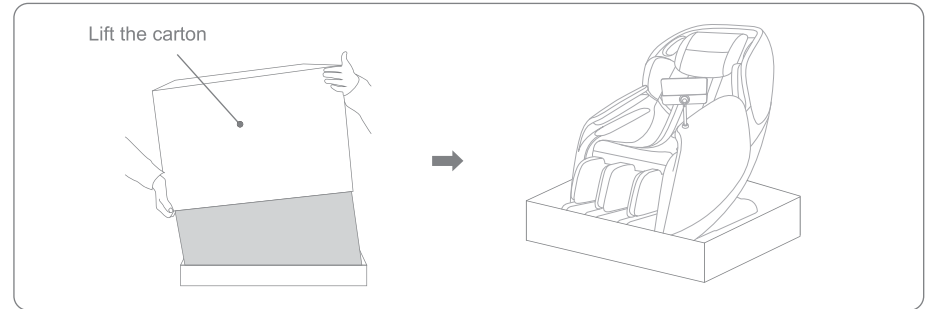


M610 Pro Full Body Massage Chair USER MANUAL

(Please read all instructions before using)

01 Preliminary Checks

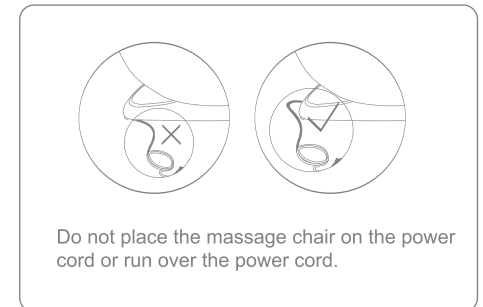
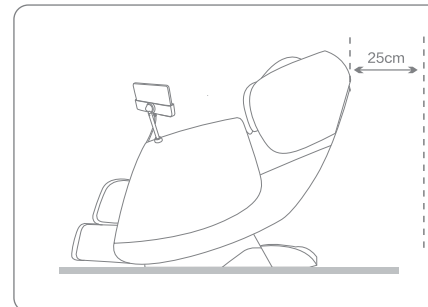
Step 1, Unpack the carton and take all massage chair units out of the carton.



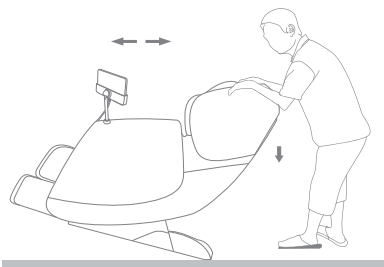
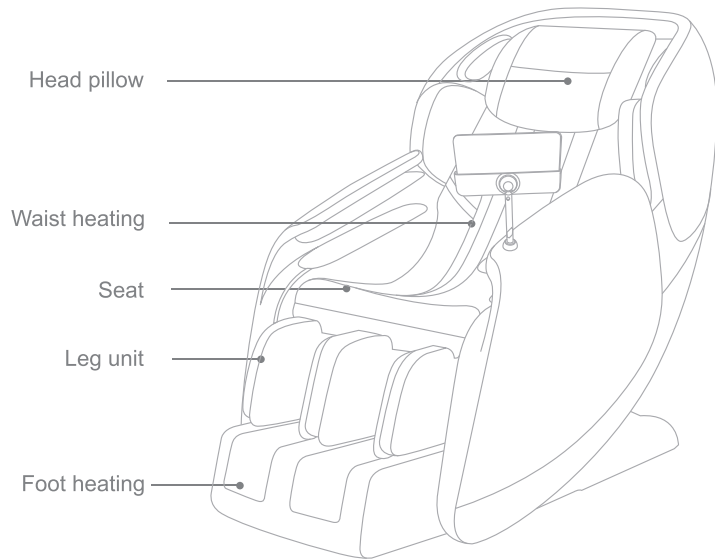
1. Remove secure straps and lift the carton vertically.
2. Take out all accessories out of the cartons.

Step 2, Placing the massage chair

- *Carry the massage chair out of the carton and place at a desired location.
- *Do not put this product near heat source, open flame or in direct sunlight. This may cause fading or damage.
- *The bottom of the massage chair may scratch the floor, we recommend placing a piece of carpet or soft mat underneath it to avoid damaging the floor.
- *Please allocate clearance to the front and back (a minimum 25-centimeter clearance behind the backrest of the product);
- *Do not put the massage chair in high moisture environment or on uneven unlevelled floor.
- *Keep it 1 meter away from the TV, radio or other audio/video appliance to avoid signal interference.



02 Structure



Moving the Massage Chair

- 1、 Push down on the backrest and tilt the chair about 30°(see left figure).
- 2、 Roll the chair on its casters to the desired location.



CAUTION

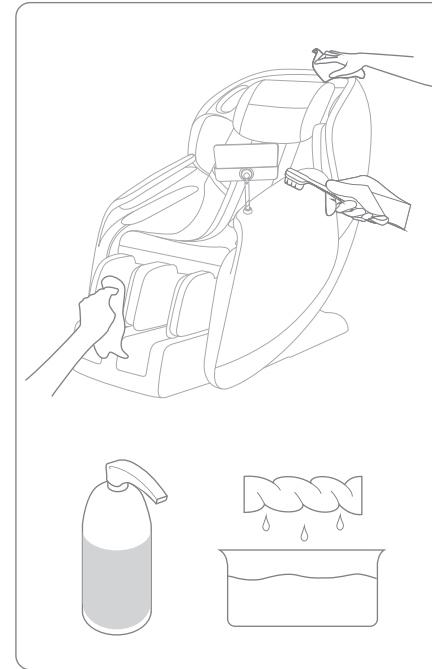
*Do not move the chair when there is user inside.

*Moving the chair may scratch the floor,we recommend placing a piece of carpet or soft mat underneath it.

*Please hold the backrest firmly when moving the massage chair to avoid falling.

* Make sure the footrest is fully retracted when moving the massage chair to avoid damage.

11 Storage and Maintenance



Cleaning

Never use steel wool,abrasive cleansers or corrosive liquid to clean your product.

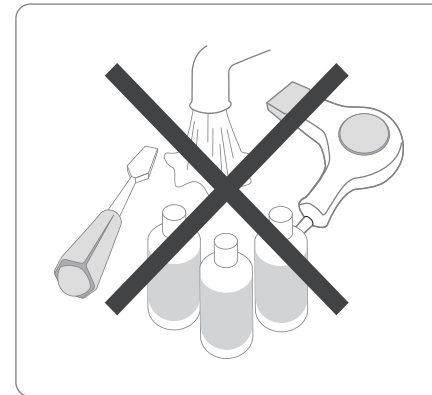
- ❶ Be sure to disconnect the power cord from the electrical outlet before cleaning.
- ❷ Clean the massage chair,remote controller and power cord with a soft dry cloth.
- ❸ Do not use wet cloth or detergent to clean the product.

Storage

- ❶ Disconnect the power cord from the electrical outlet.
- ❷ Please keep the product away from direct sunlight.
- ❸ Do not stack heavy items on the product.

Never operate this product if it has damaged/ exposed parts or power leakage.Please contact the authorized service center for maintenance.

Please disconnect the power cord from the electrical outlet when the massage chair sits idle for extended periods of time.



03 Structure



CAUTION

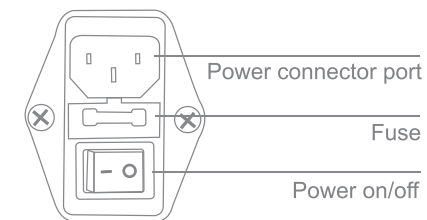
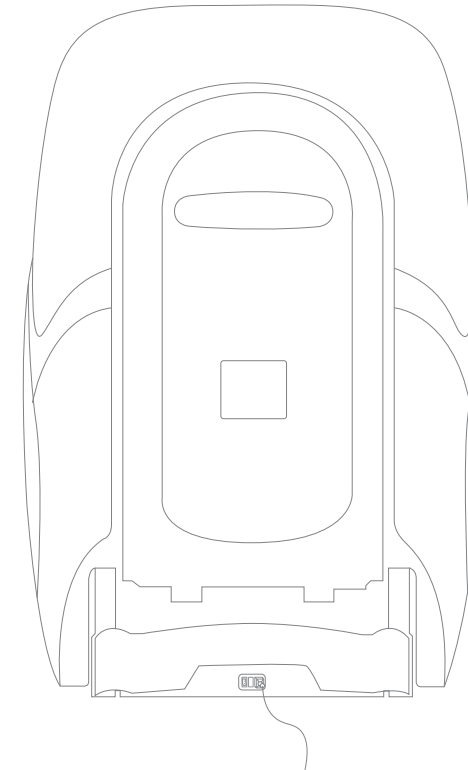
- Close supervision is necessary when this product is used by, on, or near children, invalids, or disabled persons.(need to be supervised)
- Children should be supervised to ensure that they do not play with the massage chair.
- If the power cord is damaged,replace only with a power cord of same type and rating.
- This Massage chair is equipped with heat function, persons with reduced sensory of heat should pay attention to it.
- Check that the power voltage stated on the product corresponds to your local electricity supply.
- This product must be grounded, the plug must be plugged into an appropriate 3-wire grounded outlet.
- Do not operate the product in the event when the fabric of the backrest is torn and exposing the internal component.
- Do not spill water into the controller to avoid faulty.

10 Troubleshooting Method

| Symptoms | Possible Solutions |
|---|---|
| Noise is heard while in use | This sound is normal and comes from mechanical parts during running No need to take any measures |
| Appliance does not start | Check whether the power cord is secured into the socket Check whether the power switch is off Check whether the power supply cord is damaged Check whether the fuse is blown Check whether the remote controller wire is well connected |
| Backrest or footrest can not raise or recline | Check whether there is any foreign objects in the openings Check whether the connection wire/plug connector is loose |
| Massage chair has no response when operate the controller | After long time of working,the massage chair may overheat and activate overheat protection,please turn off the power and wait 30 to 50 minutes to cool down the appliance |
| Both the controller and the massage chair fail to work | The default timer expires,Please press the power button to restart |

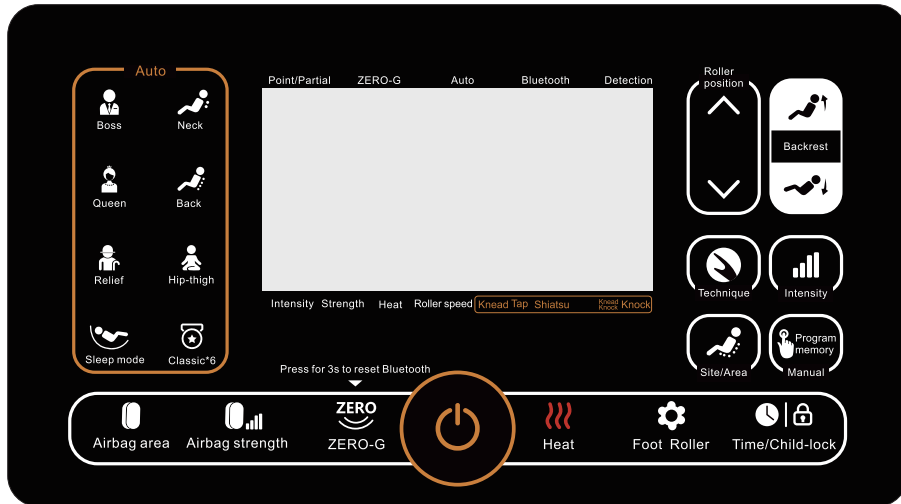
If a malfunction occurs while in use, stop use immediately and disconnect the power
If problem remains, please contact the service center for maintenance.

Back of massage chair



04 Controller Instructions

Controller(front panel)



09 Safety Precautions



CAUTION

Please read all instructions before using.

Use matching socket outlet only. Improperly grounded appliance may cause risk of electrical shock. Do not modify the plug connectors by yourself, refer to a qualified service professional for servicing. To avoid electrical shock, burn, fire or injury, take the following basic precautions:

- Use matching socket outlet only.
- Make sure the power plug is properly inserted and secured in place.
- Turn off the power and unplug the product after use or before cleaning.
- Do not use this product in high temperature environment.
- Do not store outdoors or in direct sunlight.
- Unplug from outlet when the power supply is cut, switch all controls to off
- Do not operate the massage chair if the power cord is wet or broken.
- Do not operate the controller or plug/unplug the power connectors with wet hands.
- Close supervision is necessary when this product is used by, on, or near children, invalids, or disabled persons.
- Use this product only for its intended use as described in this manual.
- Only use matching accessories provided with the product.
- Do not stand, sit or jump on the footrest to avoid damage to the product.
- Do not sit on the armrest or backrest to avoid tipping over and causing serious injury.
- Do not fall into sleep while the product is operating.
- Do not put foot, fingers or any other objects in the openings of the chair.
- Do not drag the power cord to avoid damage to the cord.
- Check if there is any damage to the product before use. If there is any damage, do not use the product and refer to our service team for servicing.
- This product is designed for home use only.
- Please consult your physician if you have any concerns about using the massage chair.
- We recommend that those with any of the following conditions should consult your physician before using: those with malignant tumors, heart disease, back diseases or cervical spine dysfunction, women who are pregnant or menstruating, and those who are not feeling well or undergoing treatment.
- If you feel any abnormal discomfort during the operation of this product, turn off the power immediately and consult your physician.
- Do not use on swelling or bruising body parts.
- This device is designed for home leisure massage, not intended for medical use.
- It is not recommended to use the unit for more than 30 minutes and not more than 15 minutes for particular part of the body to avoid muscle or nerve pain.
- Don't use this product near aerosol sprays or oxygen.
- Do not let a child under the age of 12 years use this product.

08 Technical Specifications

| Items | Specifications |
|----------------------|----------------------------------|
| Name | M610 Pro Full Body Massage Chair |
| Model | M610 Pro |
| Rated voltage | 220-240~ |
| Rated frequency | 50/60Hz |
| Rated power | 90W |
| CMIIT ID | 2020DP12043 |
| Packing dimension | 1200mm(L)x760mm(W)x1140mm(H) |
| Weight | N.W.:62kg G.W.: 80kg |
| Made in | China |
| Safety design | Class I |
| Default working time | 20 Minutes |

05 How to Use

Controller Instructions



Power Button

Under standby mode, press this button to start massage. Press again to stop massage and restore the massage chair. The massage chair enters into standby mode after restoring. The default massage timing is 20 minutes.



Airbag area

Press this button to choose air pressure massage, you may toggle among upper body air pressure massage, lower body air pressure massage, whole body air pressure massage, and air pressure off, it defaults to whole body air pressure massage.



Airbag strength

Press this button to toggle among 3 air pressure intensity settings namely 1, 2, 3, intensity level 2 is the default setting.



Short press to change Zero Gravity settings, press and hold to reset Bluetooth connection; You may short press this button to toggle among Zero Gravity position 1, Zero Gravity position 2, Zero Gravity position off; or press and hold this button for 3S to disconnect and reset Bluetooth.



Heat On/Off

Press this button to turn on/off heating function.



Foot Roller

Press this button to toggle among 3 foot roller speed settings namely 1, 2, 3, speed level 2 is the default setting.



Time/Child Lock

Short press to toggle among 10-15-20-25-30 minutes time settings (20 minutes is the default setting when first start massage chair, time setting will be memorized when you turn off the massage chair); Press and hold this button to turn on/off child lock function.



Boss

Auto massage program: Boss Massage



Queen

Auto massage program: Queen Slimming Massage



Relief

Auto massage program: Senior's Joy Massage



Sleep mode

Auto massage program: Sleep Tight Massage



Neck

Auto massage program: Neck & Shoulder Massage



Back

Auto massage program: Back & Spine Massage



Hip-thigh

Auto massage program: Waist & Hip Massage



Classic*6

6 Classic massage programs: Press this button to toggle among 6 classic massage programs namely: Full Extension, Deep Release, Sports Refresh, Working Relief, Chinese Massage, Thai Massage.

06 How to Use



Mech Position Up Button: Press and hold Mech Position up button to adjust the rollers to the desired position while in Partial/Point massage mode.



Back Up: Press and hold to raise the backrest; release the button to stop.



Press this button to toggle among 5 massage techniques namely Kneading, Tapping, Shiatsu, synchronized kneading & tapping, Knocking.



Press to toggle among strong, low, medium mechanism massage intensity settings while in Manual-Kneading, Tapping, synchronized kneading & tapping or Knocking massage mode.



Press to toggle among Point, Partial, Whole mechanism massage coverage settings while in Manual-Kneading, Tapping, synchronized kneading & tapping or Knocking massage mode; Press to toggle among Partial, Whole mechanism massage coverage settings while in Manual-Shiatsu massage mode.



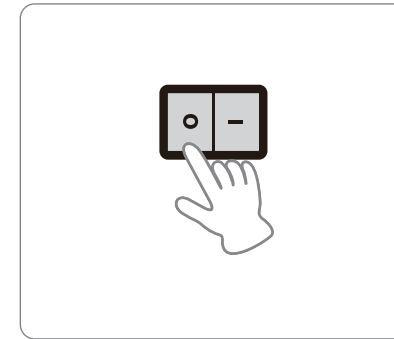
Press and hold this button to memorize current mode while under manual mode; Short press this button to switch to memorized manual mode under any mode.



CAUTION

- * Do not get into the massage chair when the footrest is lifted.
- * A sudden excessive load pressed on the backrest or footrest may cause damage to the product or injury to the user.
- * Before getting in the chair, please make sure the backrest is restored to upright position, you may recline the chair to desired angles after sitting in the chair.
- * Do not put foot, fingers or any other objects in the openings of the chair.
- * Make sure there are no children, pets or other obstacles around before adjusting the backrest or footrest angle.

07 How to Use



The power button is located at the back of the power box.

- 1 * Press the power switch at the armrest to stop all massage motions.
- 2 * When not in use for a long period of time, be sure to turn off the power switch and disconnect the power cord from the electrical outlet.
- 3 * Disconnect the power cord from the electrical outlet.
* Do not drag the power cord to avoid damage to the cord, leading to fire or electric shock.

Bluetooth Instructions

- * When the massage chair is on, the Bluetooth is on as the default setting, you may turn on Bluetooth on your mobile device, choose "ROTAI-M610pro" to pair.
- * You can enjoy music when Bluetooth is connected.
- * Press and hold Zero Gravity button for 3S to reset Bluetooth and reconnect with your mobile device .